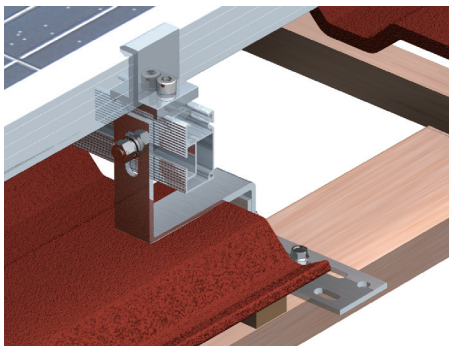
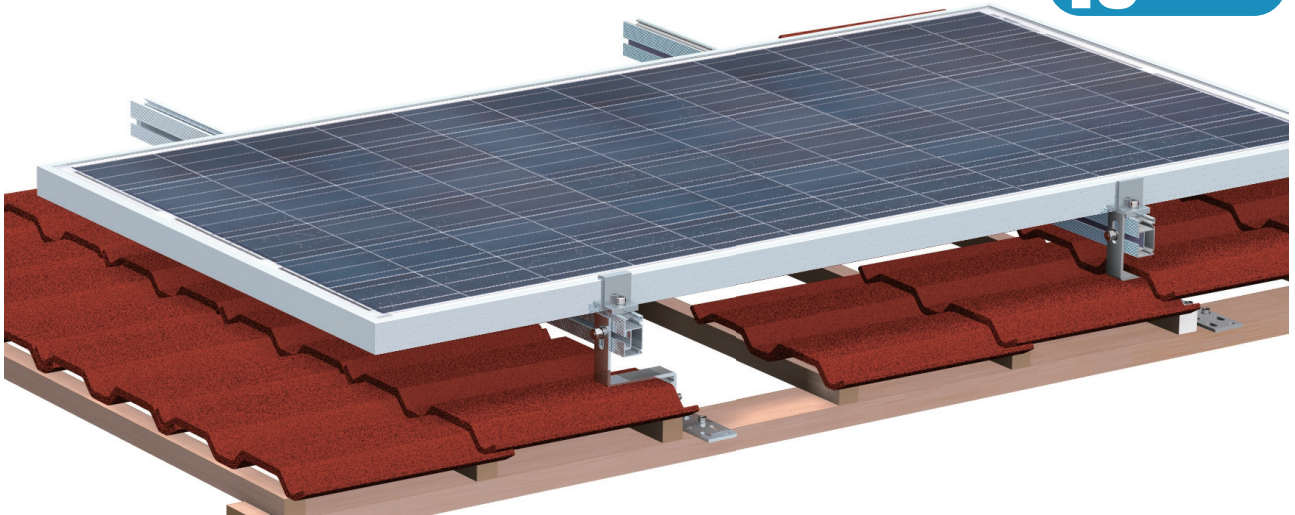


MRA1-RF2

Tile roof mounting system

MRA1RF2 Suit for household rooftop, match most roof structure

10 Years



88m/s

200mm

Standard

JISC 8955:2017
GB 50009-2012
GB 50797-2012

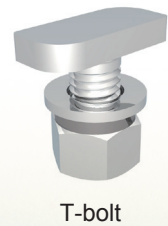
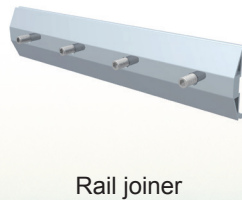
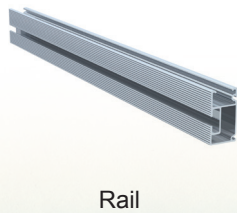
Acceptance standard



Data

1. Material: AL6005-T5
2. Hook material: SUS304
3. Wind load: 88m/s
4. Standard snow : 200mm
5. Max snow : 1200mm

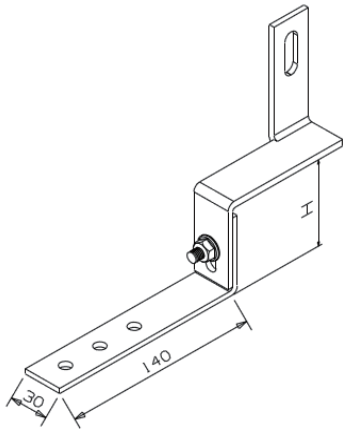
Components



MRA1-RF2

Tile roof mounting system

Hook Types



Item
A803
Height(H)
55-75mm

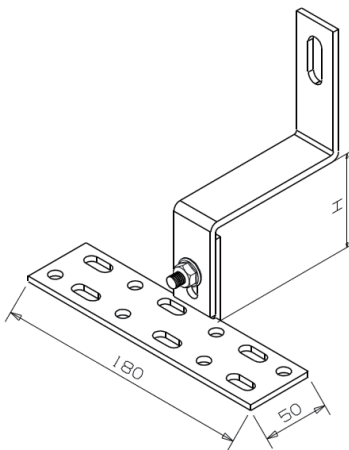
Item
A816
Height(H)
177-253mm



Item
A804
Height(H)
55-75mm

Item
A815
Height(H)
62-89mm

Item
A822
Height(H)
75-90mm



Item
A814
Height(H)
70mm

Item
A811
Height(H)
45mm



Item
A803
Height(H)
45mm



Item
A805
Height(H)
65-85mm



Item
A820
Height(H)
75-95mm



Item
A806
Height(H)
65-85mm

富嶽三山景
從千住飛街
眺望不二
永晴春色